



# Chequamegon Chirps

Newsletter of the Chequamegon Bird Club

Medford, Wisconsin

June 2010

Volume 29 Number 6

## NEXT MEETING:

**Date:** Monday, June 21, 2010

**Time:** 4:30 p.m. Meet at Cherokee Park to carpool for **Field Trip** to McMillan Wildlife Area

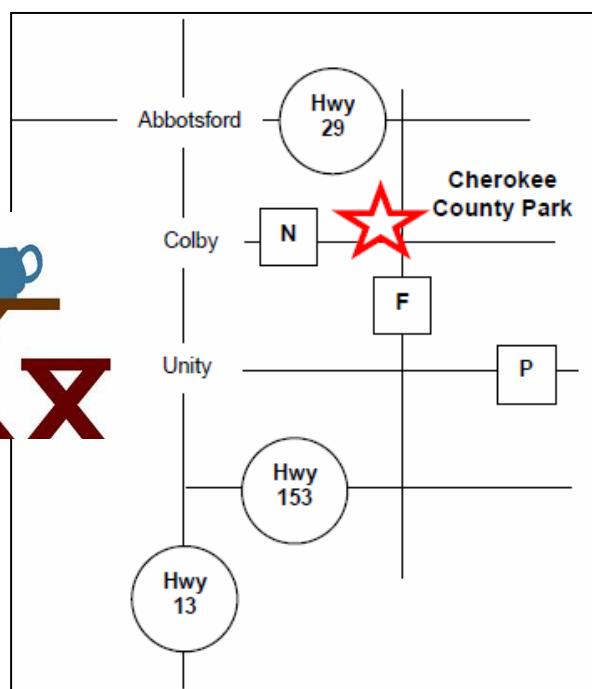
6:30 p.m. Picnic

**Location:** Cherokee Park  
SEE LOCATION MAP ▶

**Program:** Field Trip  
Annual Picnic

**Refreshments:** Potluck – Please bring a dish to share plus your own beverage, plate, and utensils.

*You may also want to bring a lawn chair.*



## ANNUAL PICNIC

- **Field Trip to McMillan**
- **Picnic Potluck**

Because it offers a nice view, a fireplace, a river setting, and trails to walk, Cherokee Park will again be the location for the annual Picnic Potluck.

The picnic will be preceded by a field trip to McMillan Marsh Wildlife Area, which offers the opportunity to see Yellow-headed Blackbirds, Black Terns, American Bittern, Sora, Yellow Warblers, and other wetland birds. We will carpool from the Cherokee Park parking lot at 4:30 p.m.

Cherokee Park also has birding opportunities so if you choose not to go on the field trip, you may want to come a bit early and enjoy a birding walk at

Cherokee on your own or with other members. Be sure to bring your binoculars and field guide. A few possible birds include Scarlet Tanager, Red-eyed Vireo, Eastern Phoebe, Eastern Wood-Pewee, various woodpeckers, and Barred Owl. We're also likely to get a chance to see the bats come out before we leave.

You may also want to try fishing, or if you have a favorite lawn game, you may want to bring that.

The picnic is a great way to introduce friends and neighbors to the bird club so please invite them to come along.

## Chequamegon Bird Club Outreach

In recent month members have been increasing club efforts to provide information about birds and birding to students and the general public.

The *Birding Hotspots of Northcentral Wisconsin* booklet was published in February and has been distributed at various venues, including conferences, workshops, public agencies, and stores.

A display featuring the Hotspots was set up at the Northcentral Land Stewardship Conference held in Prentice and at the Memorial Health Center Earth Day celebration, both in April.

In May over fifteen people, including several club members, took part in the first Discover the Wild Side of Medford walk that was held at the Campus Woods. Despite snow the previous night, Ann Hoefflerle of the USDA Forest Service identified and discussed wildflowers along the trail while club



members pointed out birds that were out and about on the snowy morning.

Also in May, members of the club had a booth at the Taylor County Youth Expo held at the Fairgrounds. The Expo was attended by about 350 students from Taylor and Price Counties. The students sampled various outdoor activities sponsored by clubs and agencies from the Medford area.



Joe Scott awards Kyle Schilling the Greg Scott Memorial Natural Resources Scholarship.

The first Greg Scott Memorial Natural Resources Scholarship was awarded to Kyle Schilling, Medford Area High School. The scholarship is funded by an anonymous donor and administered by the club.

In June club members manned an activity station for



a Rib Lake Middle School outing in the Rib Lake School Forest. Students used binoculars to find and identify photos of birds hidden among the trees.

The second Discover the Wild Side of Medford walk featured Scott Mueller, WDNR Private Lands Forester, doing a tree i.d program and again club members assisted with bird identification.

Club members are assisting the Friends of the Downtown (Medford) and Taylor County Tourism with planning and guiding the June 17 Birding Hotspots Bus Tour and associated activities.

Thanks to all the members who have been assisting with the club's outreach efforts. It is fun and rewarding to share our enthusiasm for birds and to get others interested and involved. We can always use volunteers. You don't need to be an expert birder, only a bird lover.

## Bird Reports (April – May 2010)

---



Checklist observers: *Connie Decker, Ken Luepke, Cathy Mauer, Gordy Ruesch, Doug and Willa Pledger, Claire Romanak, Larry Ruhde, Cam Scott, and Jon Zellmer.*

Total Number of Species Observed this month is 209. (Note: Only observers of rare or unusual sightings are listed below.)

- Cackling Goose (Luepke), Snow Goose (Davis (late )), Canada Goose, Mute Swan (Romanak ), Trumpeter Swan (Multiple observers), Tundra Swan (Decker/Luepke (late)), Wood Duck, Gadwall, American Wigeon, American Black Duck, Mallard, Blue-winged Teal, Northern Shoveler, Northern Pintail, Green-winged Teal, Redhead, Ring-necked Duck, Greater Scaup (Romanak), Lesser Scaup, Bufflehead, Common Goldeneye, Hooded Merganser, Common Merganser, Red-breasted Merganser, Ruddy Duck
- Ring-necked Pheasant, Ruffed Grouse, Sharp-tailed Grouse (Decker/Mauer/Ruesch), Greater Prairie-Chicken (Luepke), Wild Turkey, Northern Bobwhite (Luepke/Pledger)
- Common Loon, Pied-billed Grebe, Horned Grebe, Red-necked Grebe (Ruhde), American White Pelican, Double-crested Cormorant
- American Bittern, Least Bittern (Luepke/Ruhde/Zellmer), Great Blue Heron, Great Egret, Green Heron, Black-crowned Night Heron (Luepke/Zellmer), White-faced Ibis \*\* (Multiple observers)
- Turkey Vulture, Osprey, Bald Eagle, Northern Harrier, Sharp-shinned Hawk, Cooper's Hawk, Northern Goshawk (Pledger), Red-shouldered Hawk (Luepke/Romanak/Zellmer), Broad-winged Hawk, Red-tailed Hawk, Rough-legged Hawk, American Kestrel, Peregrine Falcon (Luepke/Decker/Zellmer)
- Virginia Rail, Sora, American Coot, Sandhill Crane, Whooping Crane (Luepke/Zellmer), Semipalmated Plover, Killdeer, Greater Yellowlegs, Lesser Yellowlegs, Solitary Sandpiper, Spotted Sandpiper, Upland Sandpiper (Zellmer), Semipalmated Sandpiper, Least Sandpiper, Pectoral Sandpiper, Dunlin, Short-billed Dowitcher, Wilson's Snipe, American Woodcock, Wilson's Phalarope, Franklin's Gull (Decker/Luepke/Zellmer), Bonaparte's Gull, Ring-billed Gull, Herring Gull, Forster's Tern, Black Tern
- Rock Pigeon, Mourning Dove
- Eastern Screech-Owl (Davis), Great Horned Owl, Barred Owl
- Chuck-wills-widow \*\* (Luepke), Whip-poor-will, Chimney Swift, Ruby-throated Hummingbird, Belted Kingfisher
- Red-headed Woodpecker, Red-bellied Woodpecker, Yellow-bellied Sapsucker, Downy Woodpecker, Hairy Woodpecker, Northern Flicker, Pileated Woodpecker
- Eastern Wood-Pewee, Least Flycatcher, Eastern Phoebe, Great Crested Flycatcher, Eastern Kingbird
- Yellow-throated Vireo, Blue-headed Vireo, Warbling Vireo, Red-eyed Vireo
- Blue Jay, American Crow, Common Raven
- Horned Lark, Purple Martin, Tree Swallow, Northern Rough-winged Swallow, Bank Swallow, Cliff Swallow, Barn Swallow
- Black-capped Chickadee, Tufted Titmouse (Romanak ), Red-breasted Nuthatch, White-breasted Nuthatch, Brown Creeper
- Carolina \*Wren, (Romanak), House Wren, Winter Wren, Sedge Wren, Marsh Wren
- Golden-crowned Kinglet, Ruby-crowned Kinglet, Blue-gray Gnatcatcher
- Eastern Bluebird, Veery, Gray-cheeked Thrush, Swainson's Thrush, Hermit Thrush, Wood Thrush, American Robin
- Gray Catbird, Brown Thrasher, European Starling
- American Pipit, Cedar Waxwing
- Blue-winged Warbler, Golden-winged Warbler, Tennessee Warbler, Orange-crowned Warbler, Nashville Warbler, Northern Parula Warbler, Yellow Warbler, Chestnut-sided Warbler, Magnolia Warbler, Cape May Warbler, Black-throated Blue Warbler (Romanak), Yellow-rumped Warbler, Black-throated Green Warbler, Blackburnian Warbler, Yellow-throated Warbler \* (Romanak), Pine Warbler, Palm Warbler, Bay-breasted Warbler, Cerulean Warbler (Romanak), Black and White Warbler, American Redstart, Prothonotary Warbler (Romanak), Ovenbird, Northern Waterthrush, Kentucky Warbler (Romanak), Common Yellowthroat, Hooded Warbler (Multiple observers), Summer Tanager \* (Romanak), Scarlet Tanager, Spotted Towhee \*\* (Ruhde), Eastern Towhee
- Chipping Sparrow, Clay-colored Sparrow, Field Sparrow, Vesper Sparrow, Lark Sparrow (Decker/Luepke/Zellmer), Savannah Sparrow, Henslow's Sparrow (Romanak/Ruhde), Le Conte's Sparrow (Decker/Luepke), Fox Sparrow (Davis (very late)), Song Sparrow, Swamp Sparrow, White-throated Sparrow, White-crowned Sparrow, Dark-eyed Junco, Lapland Longspur
- Northern Cardinal, Rose-breasted Grosbeak, Indigo Bunting
- Bobolink, Red-winged Blackbird, Eastern Meadowlark, Western Meadowlark, Yellow-headed Blackbird, Rusty Blackbird (Zellmer (late)), Brewer's Blackbird, Common Grackle, Brown-headed Cowbird, Orchard Oriole (Multiple observers), Northern Oriole
- Purple Finch, House Finch, Pine Siskin (Multiple observers), American Goldfinch, House Sparrow.

**Editor, Chequamegon Chirps**  
N4416 Crane Dr  
Medford WI 54451-9376



### **Club Officers 2010-2011**

*President* – Claire Romanak

*Vice-president* – Connie Decker

*Secretary* – Gayle Davis

*Treasurer* – Cam Scott

### **Other Club Contacts**

Web site: [www.chequamegonbirdclub.org](http://www.chequamegonbirdclub.org)

Email: [info@chequamegonbirdclub.org](mailto:info@chequamegonbirdclub.org)

Newsletter Email: [newsletter@chequamegonbirdclub.org](mailto:newsletter@chequamegonbirdclub.org)

Bird sightings: Connie Decker

## **June – July Outdoors**

- Summer solstice – June 21
- Full (Strawberry) moon – June 26
  - Partial eclipse
- Blue-winged teal young hatch
- Independence Day
- Earth is farthest from the sun (aphelion) – July 6
- “Fall” shorebird migration begins
- Painted turtles hatch
- Turkey hens molt
- Sandhill chicks learning to fly



## **Take Note**

### **Campus Woods Update – Good News**

In response to public comments the Northcentral Technical College has dropped its proposal to build a golf course training facility in the Campus Woods and has expressed willingness to minimize impacts from its proposed new building.

### **Pine Line Trail (Medford-Prentice) – Mixed News**

An ATV group from Price County has proposed opening the trail to ATVs year-around. It is now open to snowmobiles and ATVs in winter and only to non-motorized use the rest of the year. The trail provides opportunities for quiet forms of recreation, including birding. The trail was built in part with grants that preclude year-around motorized use, but that is being challenged. There is also illegal use by ATVs at this time. Please contact Cathy (748-3160) if you are willing to help preserve the Pine Line Trail for birding and other quiet activities.